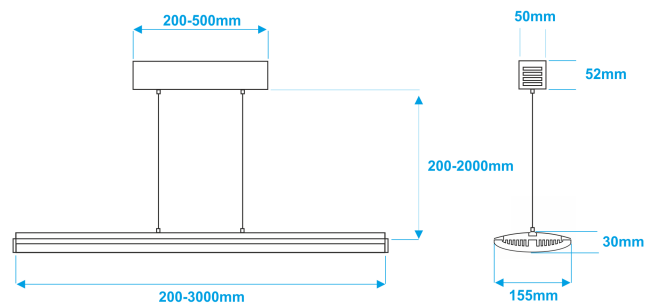
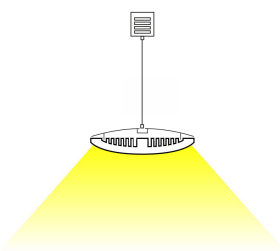
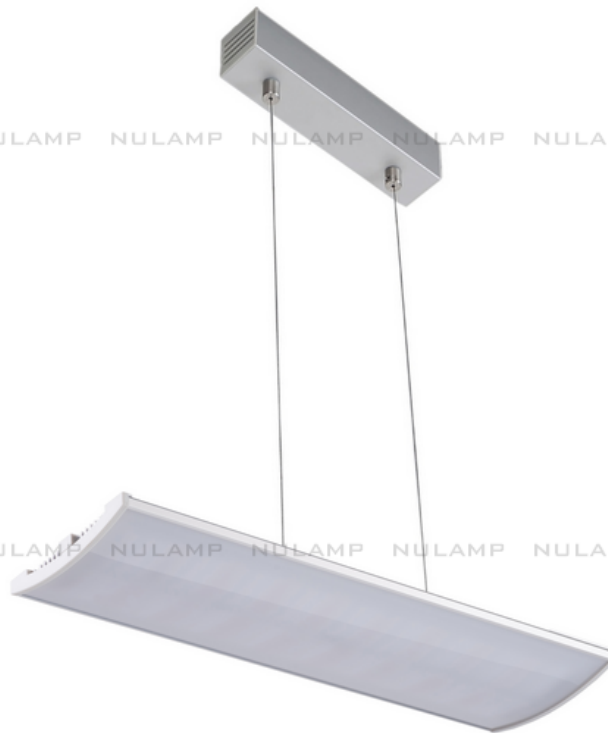


MULTI W + BOX



NULAMP



Wide, hanging utility **high power LED lamp**, available with box designed for power supply and wiring. Energy-efficient linear LED lighting, with mounted two or more parallel light lines, designed for easy mounting with special rails. The lamp consists of two parts: A (the main part with LED rails) and B (part for installing the lamp in its hanging version).

- Hanging lamp: **double anodized aluminium** - grey, can be painted in any colour from the NCS scale.
- Optional transparent blend (glass efficiency 95%), or opal glass (glass transparency 70%): Makrolon®, of Bayer Polymers, **full certification**.
- High power lamp: 3 lines of highest quality LED **OSRAM DURIS E5** diodes.
- Control: **Dali, 1-10V, KNX, Fibaro**.
- Luminaires design enables **easy maintenance and replacement of light sources**.
- Lamps with a light source were produced in the **European Union**.
- Possibility to **modify a set of lamps for specific customer expectations** (size, colour housing, light colour, type of light source:

RGB, RGBW, active white) - [UDESIGN custom](#).

- Standard length of rods - each 20-200 cm, adjustable to any length.

3 Year warranty	Length [cm]	Power [W]	Luminous flux [lm]	Colour temperature [K]	CRI [Ra]
MULTIW+BOX 100-66-___	100	66	6300 / 7050 / 7200	3000 / 4000 / 5000	>80
MULTIW+BOX 150-99-___	150	99	9450 / 10575 / 10800	3000 / 4000 / 5000	>80
5 Year warranty	Length [cm]	Power [W]	Luminous flux [lm]	Colour temperature [K]	CRI [Ra]
MULTIW+BOX 100-39-___	100	39	3720 / 4170 / 4260	3000 / 4000 / 5000	>80
MULTIW+BOX 150-58.5-___	150	58,5	5580 / 6255 / 6390	3000 / 4000 / 5000	>80
MULTIW+BOX 200-79-___	200	79	7440 / 8340 / 8520	3000 / 4000 / 5000	>80

LAMP NAME- 100 - 13 -3000- M -DALI

1 2 3 4 5

1. Length [cm]	2. Power [W]	3. Colour temperature [K]	4. Cover	5. Control
50, 100, 150, 200, 300 cm special order - 10-300 cm	13 W/m 22 W/m special order - others	3000 K - warm 4000 K - neutral 5000 K - cold special order - 2700K, 6000K	T - transparent M - milk/frosted	Fibaro 1-10 V Dali KNX