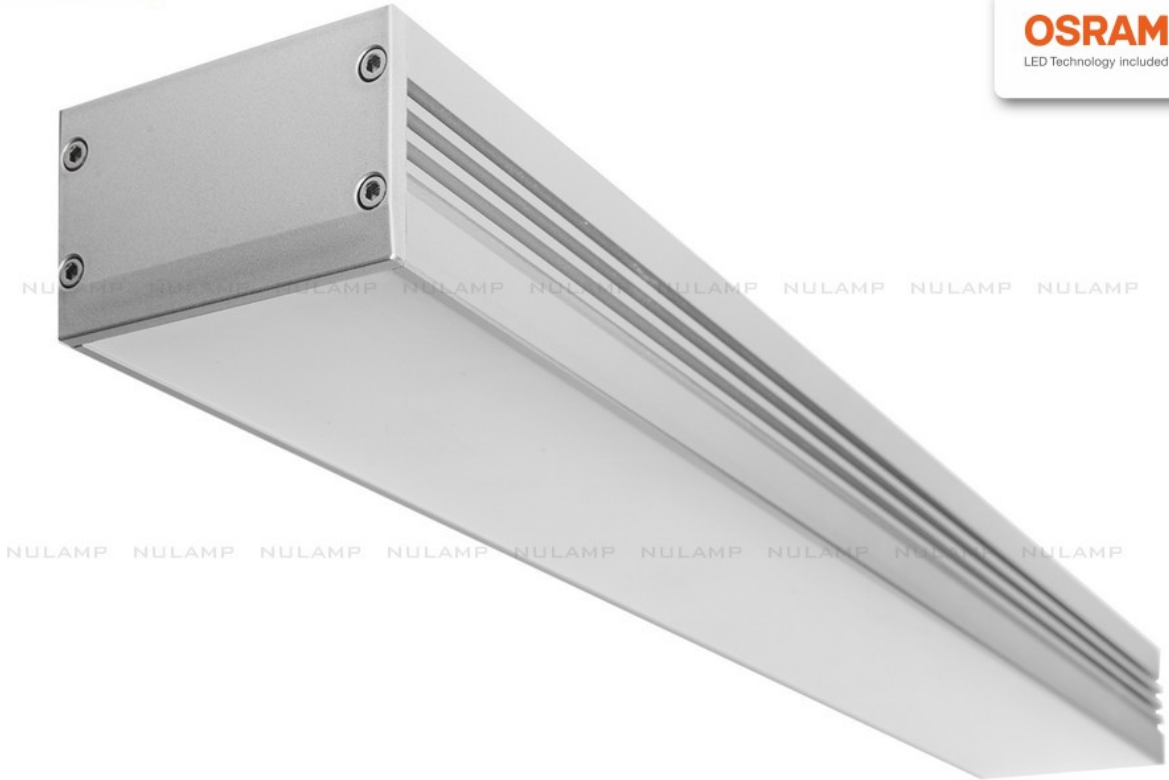


SEPOD P



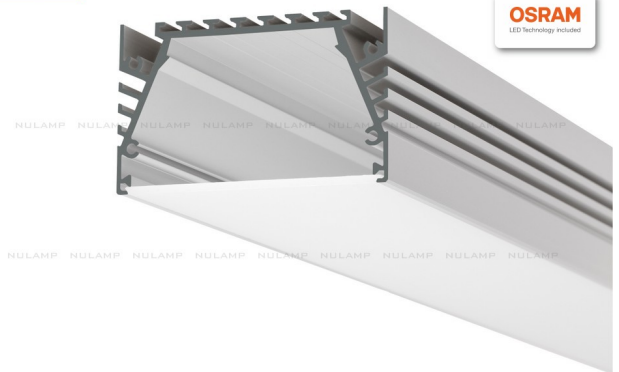
NULAMP



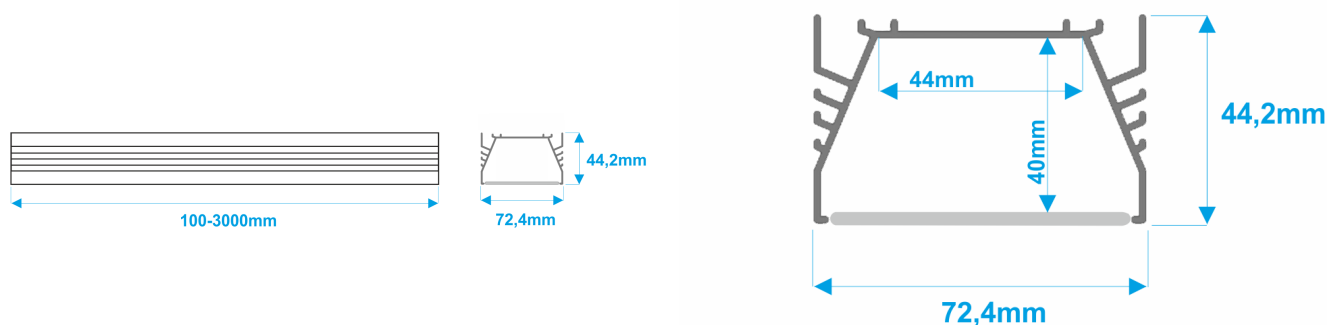
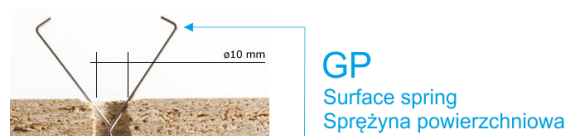
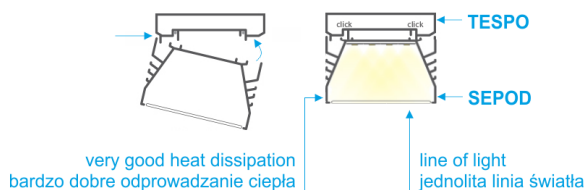
NULAMP



NULAMP



Safe and strong attachment
Pewne i mocne zamocowanie



Wide, surface mounted **high power LED plafond**. Energy-efficient linear LED lighting, with mounted three or more parallel light lines, designed for easy ceiling mounting with special screws or spacial component TESPO. A specially designed SZER cover (opal glass or frosted) made of polycarbonate, has a certificate that guarantees excellent resistance to atmospheric factors, UV radiation and flammability. Lamps of different lengths and wide range of application possibilities are available. **SEPOD P** is a utility lamp that can be used as industrial lighting, large office luminaire (100cm or more) and modern LED lighting for home and functional interiors (50cm).

- Ceiling lamp: **double anodized aluminium** - grey, can be painted in any colour from the NCS scale.
- Optional cover: frosted (glass efficiency 83%), or transparent (glass efficiency 95%): Makrolon®, of Bayer Polymers, **full certification**.
- Highest quality LED **OSRAM DURIS E5** diodes.
- Control: **Dali, 1-10V, KNX, Fibaro**.
- Luminaires design enables **easy maintenance and replacement of light sources**.
- Lamps with a light source were produced in the **European Union**.
- Possibility to **modify a set of lamps for specific customer expectations** (size, colour housing, light colour, type of light source: RGB, RGBW, active white) - [UDESIGN custom](#).

Installation of lights can be made by:

- TESPO - special mounting strip,
- using a specially dedicated surface spring - GP,
- using a specially dedicated spring for grooves - KMA, the number of springs depends on the length of the lamp:

- < 1.4 m - 4 springs,

- < 2.4 m - 6 springs,

- <3 m - 8 springs.

3 Year warranty	Length [cm]	Power [W]	Luminous flux [lm]	Colour temperature [K]	CRI [Ra]
SEPODP 100-66-___	100	66	6300 / 7050 / 7200	3000 / 4000 / 5000	>80
SEPODP 150-99-___	150	99	9450 / 10575 / 10800	3000 / 4000 / 5000	>80
SEPODP 200-132-___	200	132	12600 / 14100 / 14400	3000 / 4000 / 5000	>80
SEPODP 300-198-___	300	198	18900 / 21150 / 21600	3000 / 4000 / 5000	>80
5 Year warranty	Length [cm]	Power [W]	Luminous flux [lm]	Colour temperature [K]	CRI [Ra]
SEPODP 100-39-___	100	39	3720 / 4170 / 4260	3000 / 4000 / 5000	>80
SEPODP 150-58.5-___	150	58,5	5580 / 6255 / 6390	3000 / 4000 / 5000	>80
SEPODP 200-78-___	200	78	7440 / 8340 / 8520	3000 / 4000 / 5000	>80
SEPODP 300-117-___	300	117	11160 / 12510 / 12780	3000 / 4000 / 5000	>80

LAMP NAME- 100 - 13 -3000- M -DALI

1 2 3 4 5

1. Length [cm]	2. Power [W]	3. Colour temperature [K]	4. Cover	5. Control
50, 100, 150, 200, 300 cm special order - 10-300 cm	13 W/m 22 W/m special order - others	3000 K - warm 4000 K - neutral 5000 K - cold special order - 2700K, 6000K	T - transparent M - milk/frosted	Fibaro 1-10 V Dali KNX